

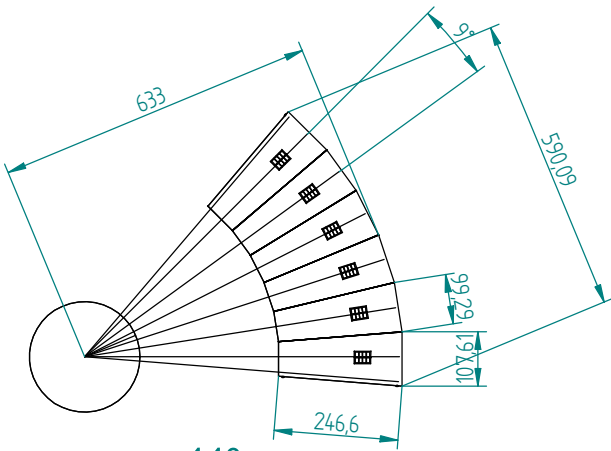
1:5

Roskilde Remise model 1:87 H0 9 graders spredning .
 Passer til ROCO-drejeskive

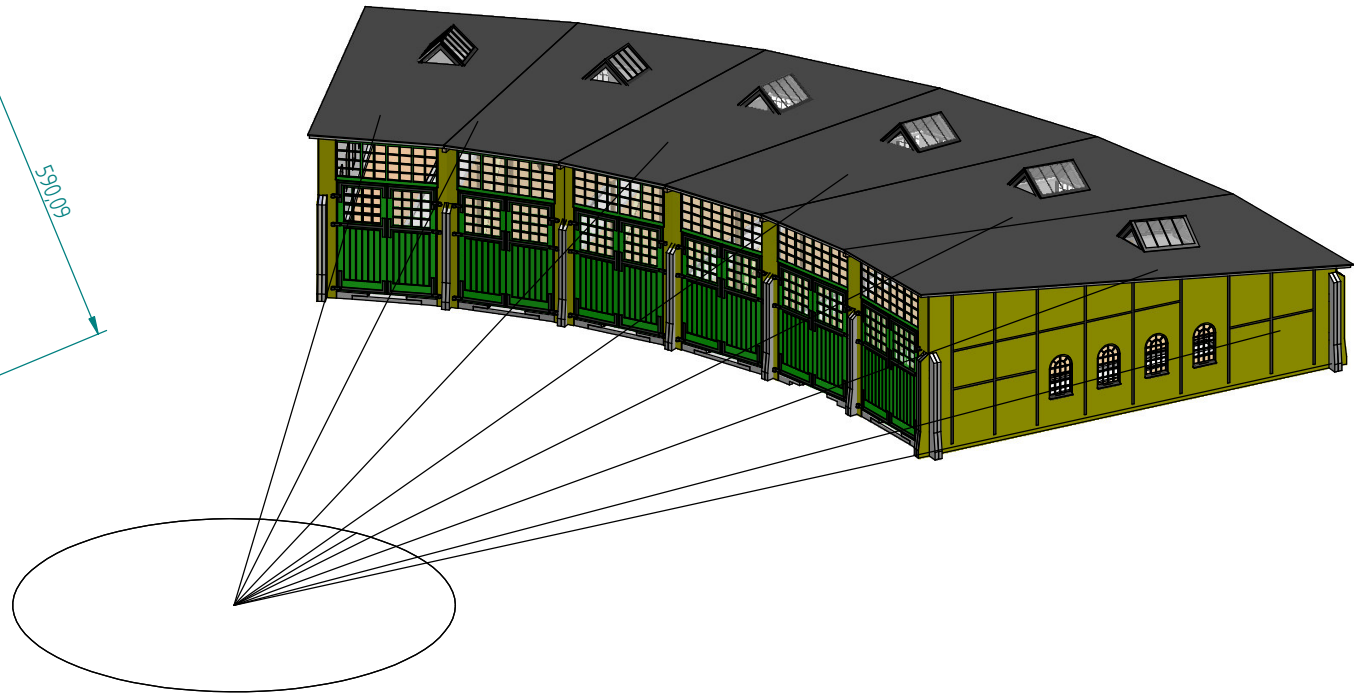
Denne tegning viser 3 sporet grundmodul og 3 stk mellemmoduler.

This drawing show 3 track basic module and 3 extension modules.

Diese Zeichnung zeigt eine 3 ständige Grundmodul un 3 1- ständiges
 Ergänzunsmodule



1:10



1:2,5

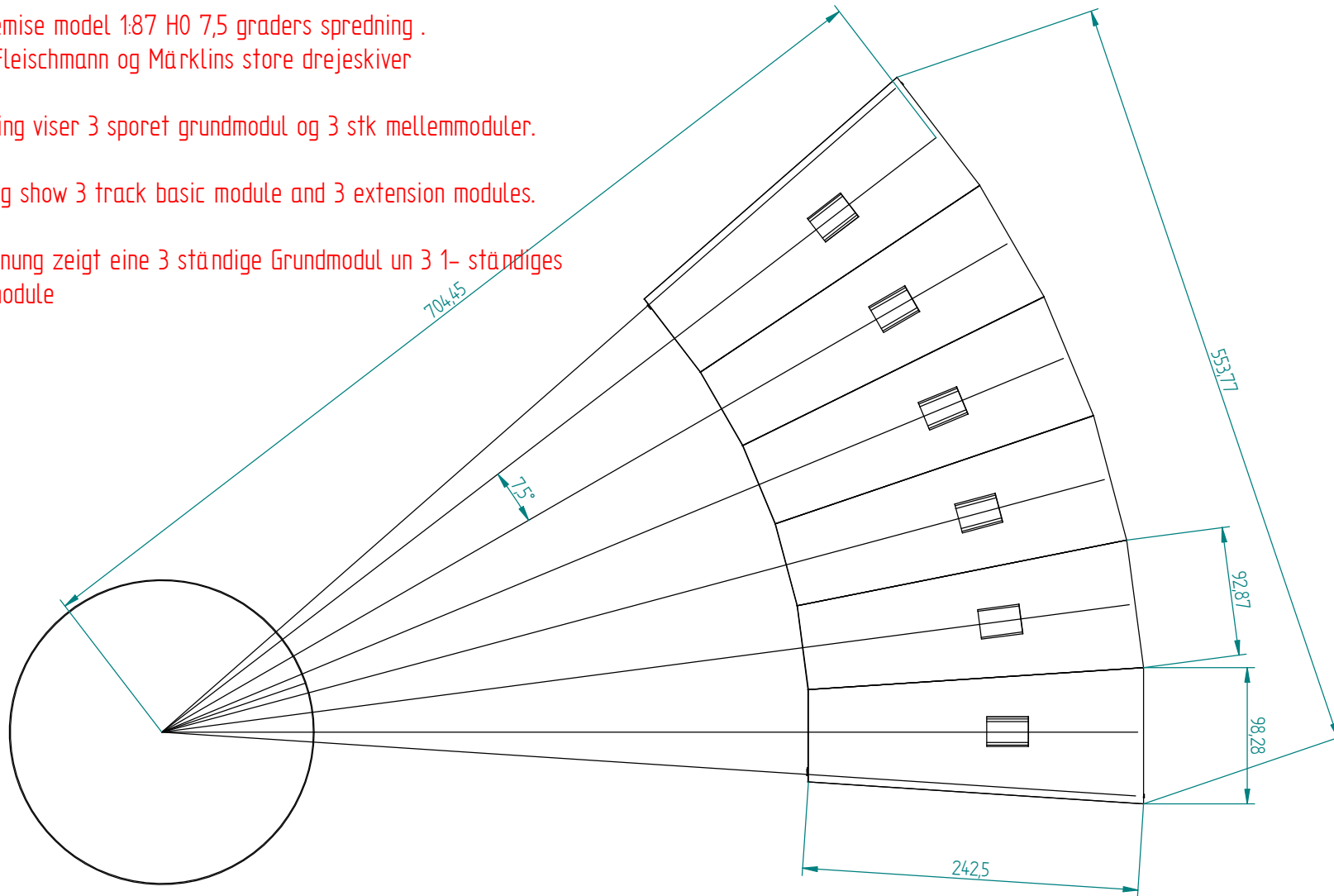
NOTES DRAFT ANGLE : ° GENERAL WALL THICK : MM ALL TOLERANCES : X ± .XX : ALL DIMENSIONS IN "MM" DON'T SCALE DRAWING COMMENTS :	EpokeModeller		Customer :
	Project : Roskilde Remise		EpokeModeller
	Part : 6 sporet samings		SHEET 1 OF 2
	Part No : Roskilde Remise		CAD NO.
	Drawn : PMN	SCALE : 5:2	Issue : Size : A4
Corrected : 05-09-2006	FINISH		

Roskilde Remise model 1:87 H0 7,5 graders spredning .
Passer til Fleischmann og Märklins store drejeskiver

Denne tegning viser 3 sporet grundmodul og 3 stk mellemmoduler.

This drawing show 3 track basic module and 3 extension modules.

Diese Zeichnung zeigt eine 3 ständige Grundmodul un 3 1- ständiges
Erganzunsmodule



1:3

NOTES		EpokeModeller		Customer : EpokeModeller	
DRAFT ANGLE : °		Project : Roskilde Remise		SHEET 2 OF 2	
GENERAL WALL THICK : MM		Part : 6 sporet samlingstrack		CAD NO.	
ALL TOLERANCES : X ± .XX :		Part No : Roskilde Remise - Roskilde		Issue : Size:	
DON'T SCALE DRAWING		Drawn : PMN		SCALE : 5:2	
COMMENTS : .		Corrected : 05-09-2006		FINISH	